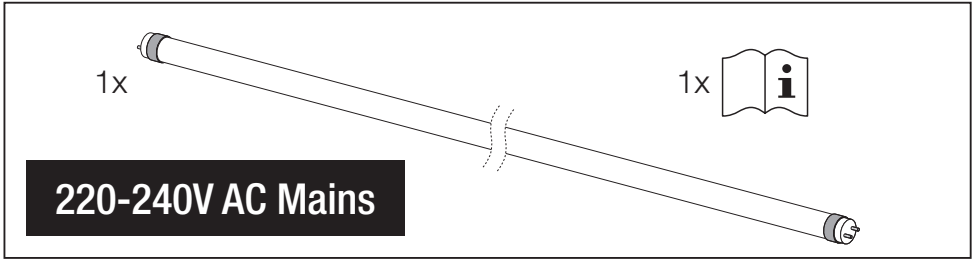
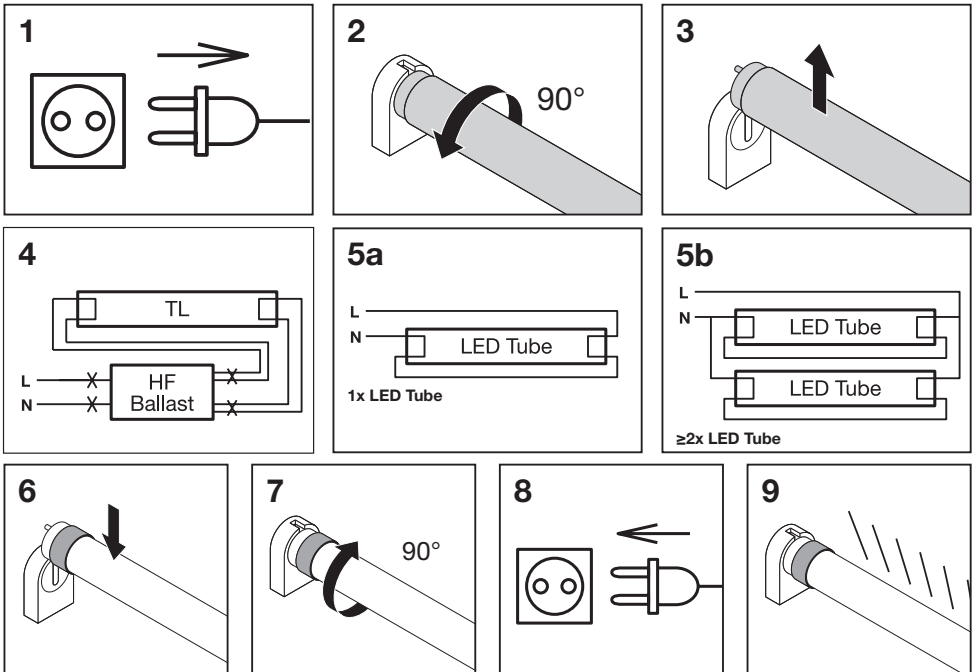


# LED Star Tube T5 HE AC / HO AC



1. LED Star Tube T5 HE AC / HO AC LED tube is suitable as replacement for T5 fluorescent lamps with G5 bi-pin bases.
2. The operating temperature range of LED Star Tube T5 HE AC / HO AC LED tube is restricted. In case of doubt regarding suitability of the application please measure Tc max temperature on the product. In case of multi lamp luminaire application measure Tc max temperature of all installed lamps. Please use a flexible thermosensor (e.g. "Type K")
3. LED Star Tube T5 HE AC / HO AC LED tube operated above Tc max can lead to premature aging and failure of devices.
4. LED Star Tube T5 HE AC / HO AC LED tube emits light only with a limited beam angle not like a fluorescent tube with 360° output.
5. LED Star Tube T5 HE AC / HO AC LED tube is designed for general lighting application (excluding for example explosive atmosphere).

## Instructions on AC mains 220-240V (without ballast):<sup>1)</sup>



**Warning!** The fixture electrical circuit/wiring has been modified and can no longer operate originally specified T5 Fluorescent lamp. Use only approved Radium LED T5 tubes.<sup>2)</sup>

# Radium



